

127400

Illustrated Parts List

Model Series

127400

TYPE NUMBERS
0035 through 0167.

TABLE OF CONTENTS

Air Cleaner	7
Blower Housing/Shrouds	8
Cams	3
Carburetor	5
Controls	6
Crankcase Cover/Sump	2
Crankshaft	3
Cylinder	2
Electric Starter	9
Flywheel	8
Fuel Tank	6
Gear Reducer	9
Governor Spring	6
Head	4
Ignition	6
Kits/Gaskets – Carburetor	5
Kits/Gaskets – Engine	2
Kits/Gaskets – Valve	4
Muffler	7
Oil	9
Piston Group	3
Rewind	8
Valves	4



PRINTED IN U.S.A.

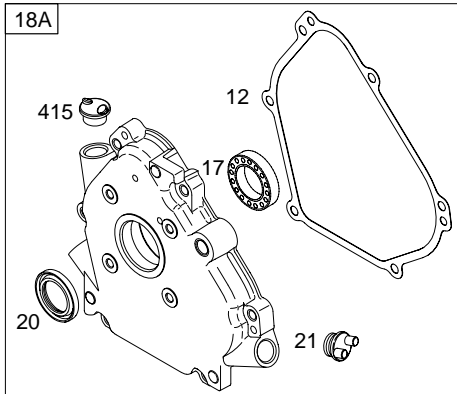
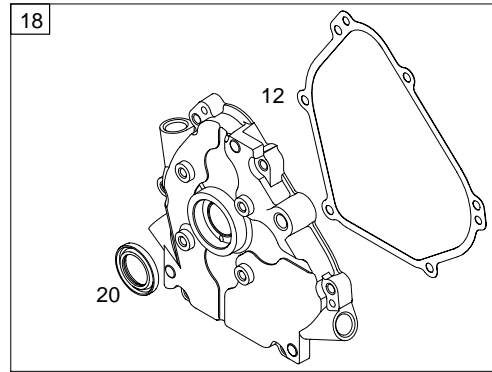
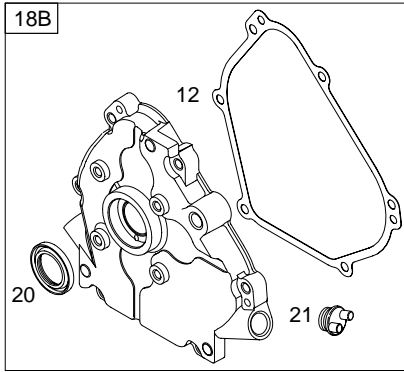
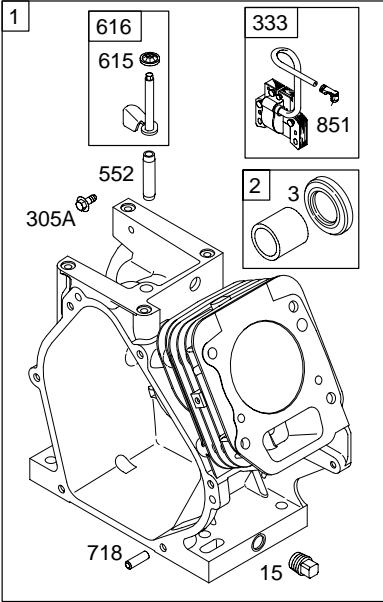
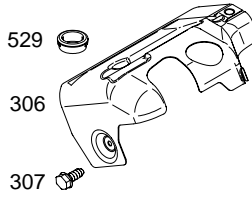
COPYRIGHT by BRIGGS & STRATTON CORPORATION
All rights reserved. No part of this material may be reproduced or transmitted, in any form or by any means, electronic or mechanical, including photocopying, recording or by any information storage and retrieval system, without permission in writing from Briggs & Stratton Corporation.

127400

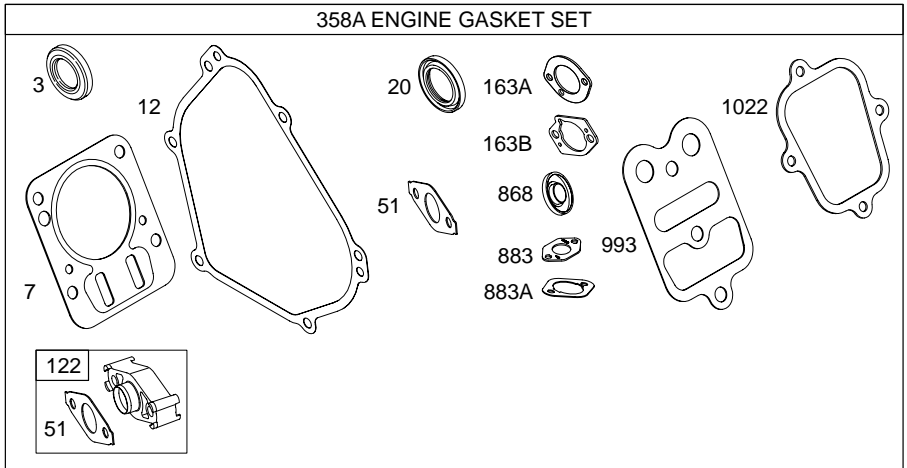
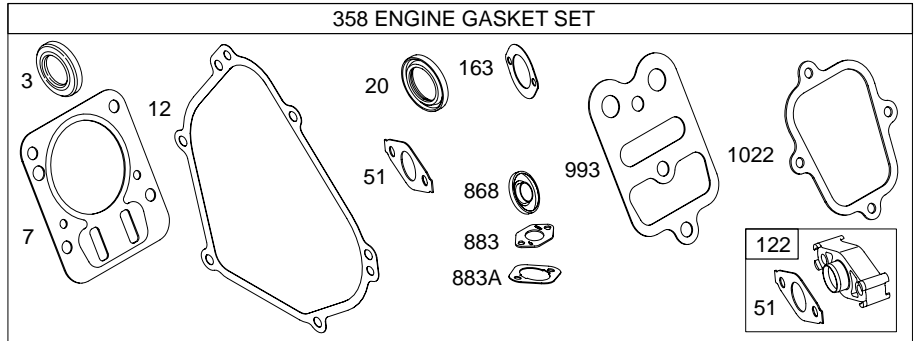
1019 LABEL KIT

1058 OWNER'S MANUAL

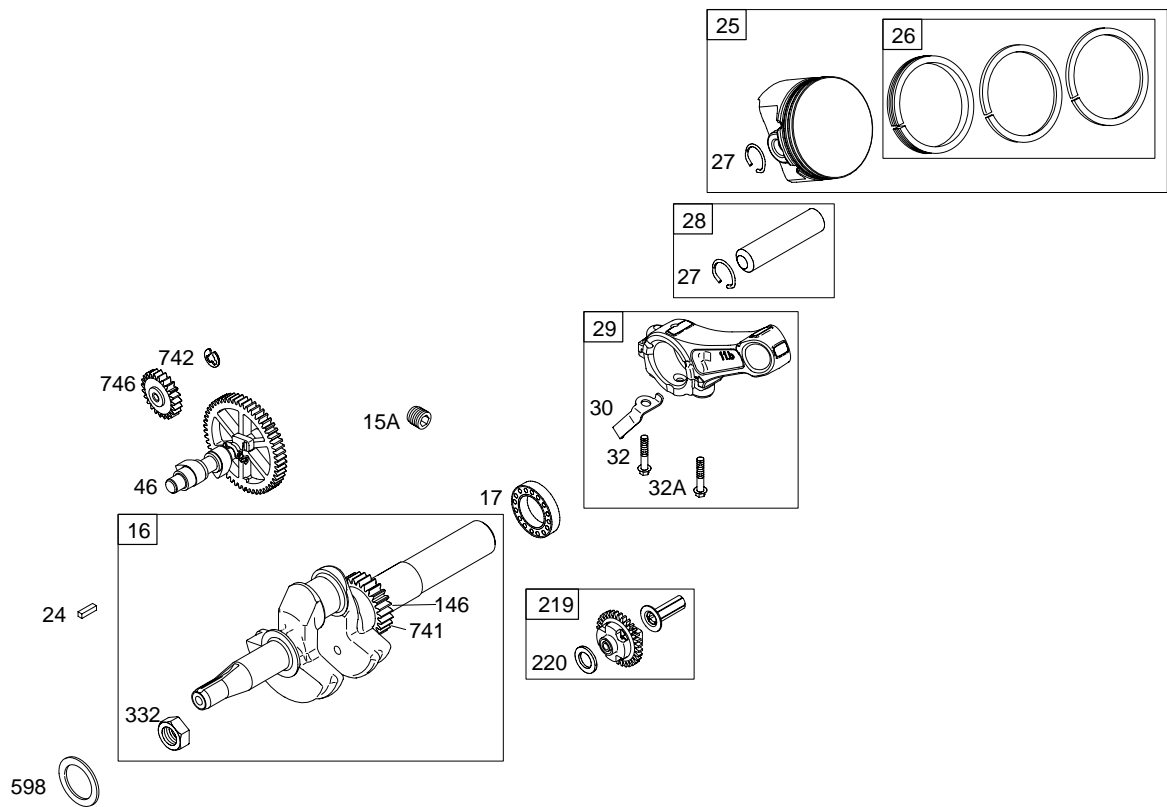
1330 REPAIR MANUAL



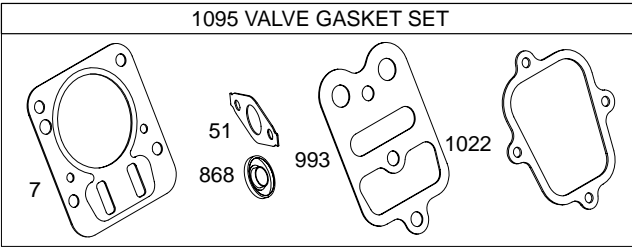
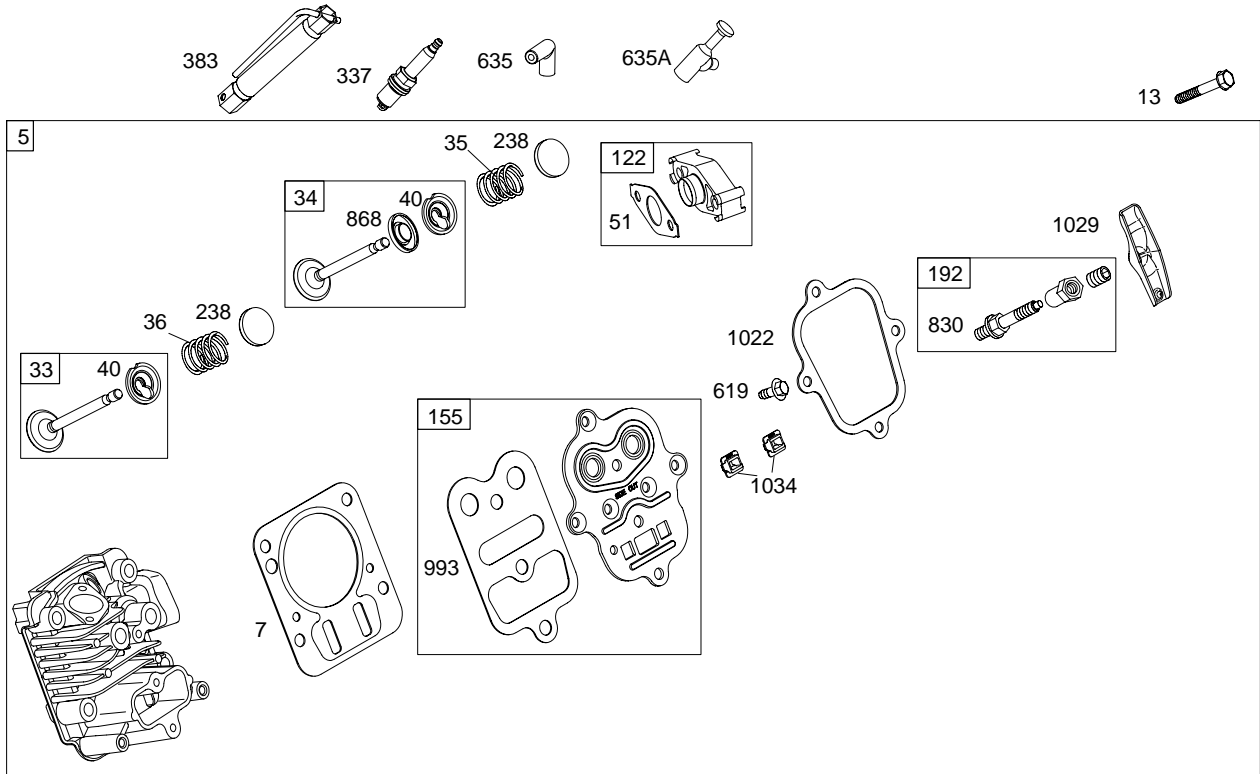
22 



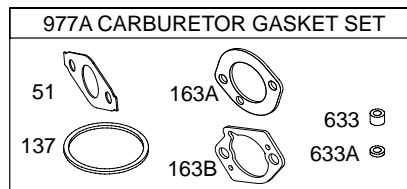
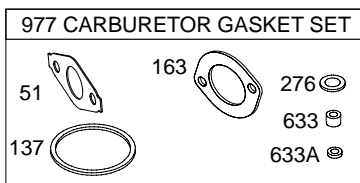
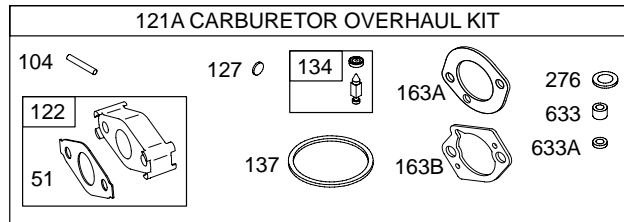
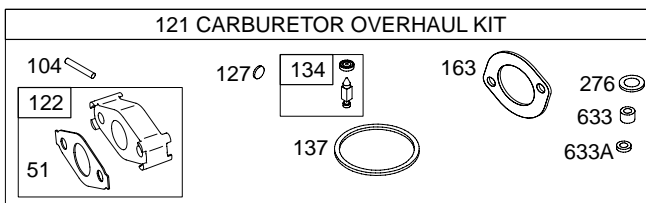
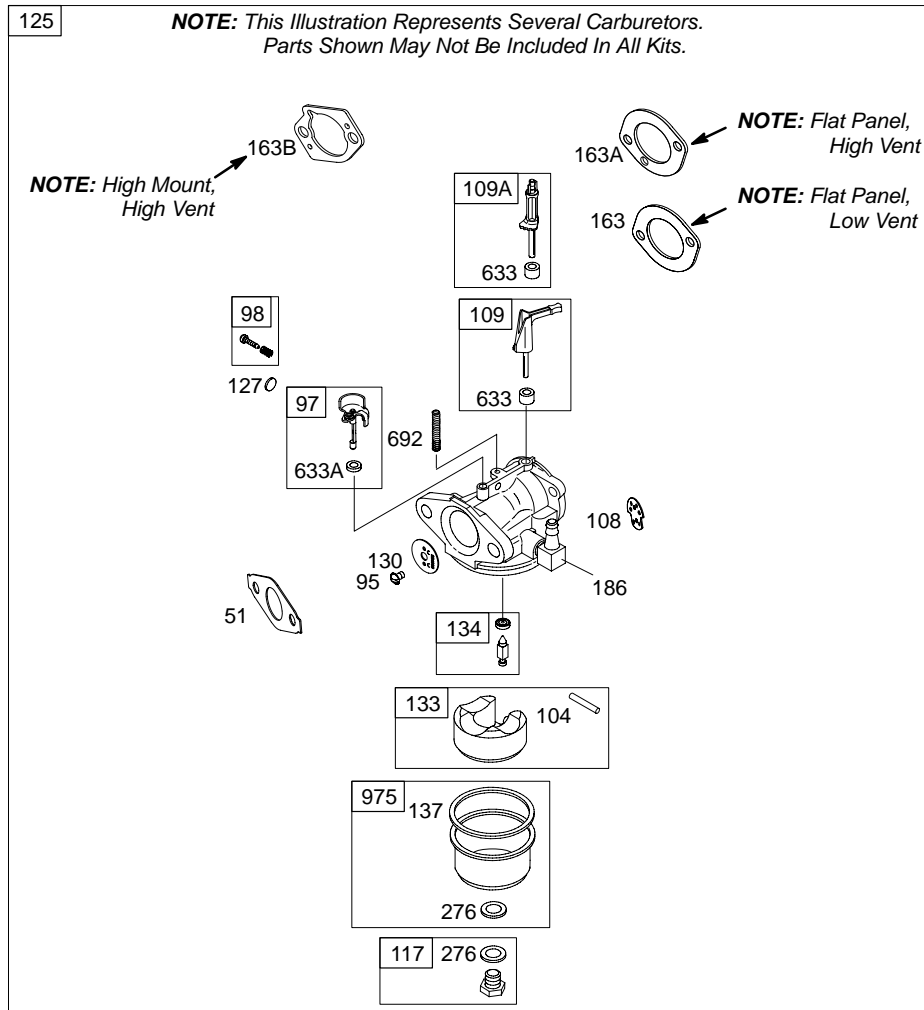
Illustrations cover a range of engines. Parts shown without corresponding text may not be used on your specific engine.
 6818-2 Assemblies include all parts shown in frames. 09/25/2003

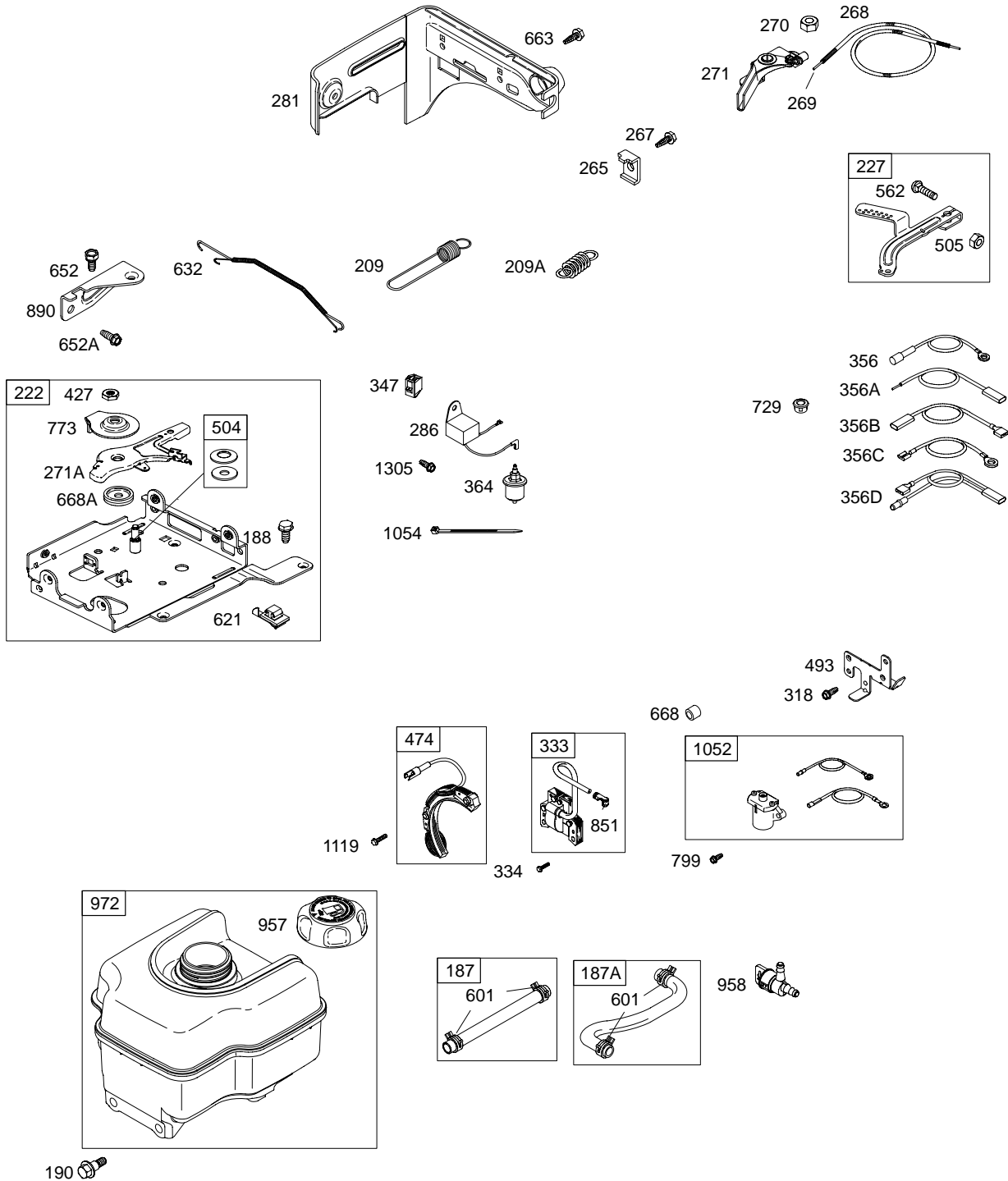


Illustrations cover a range of engines. Parts shown without corresponding text may not be used on your specific engine.
 6818-3 Assemblies include all parts shown in frames. 09/25/2003

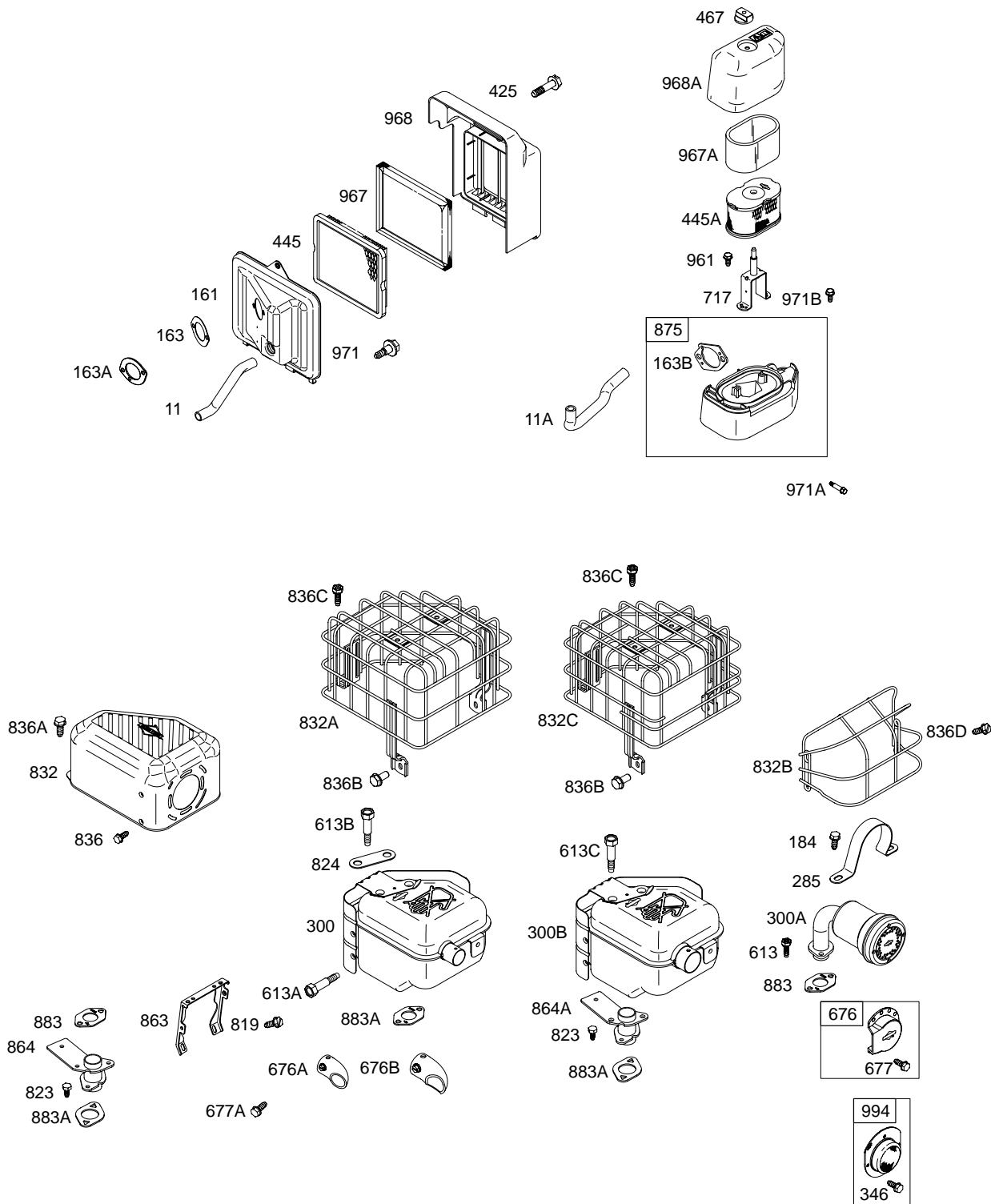


Illustrations cover a range of engines. Parts shown without corresponding text may not be used on your specific engine.
6818-4 **Assemblies include all parts shown in frames.** **09/25/2003**

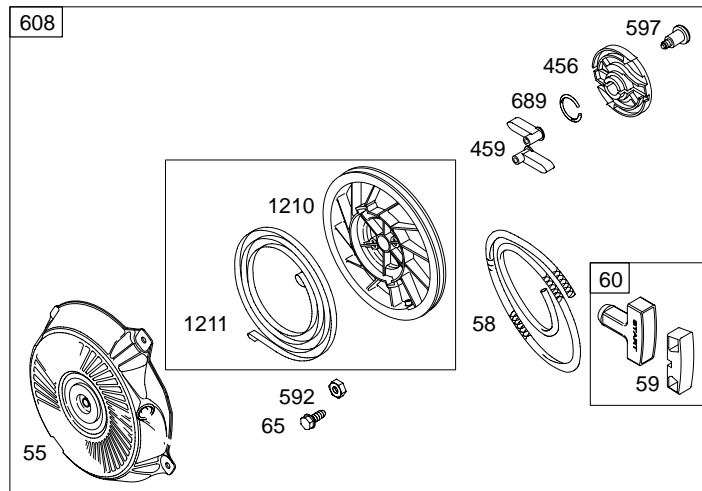
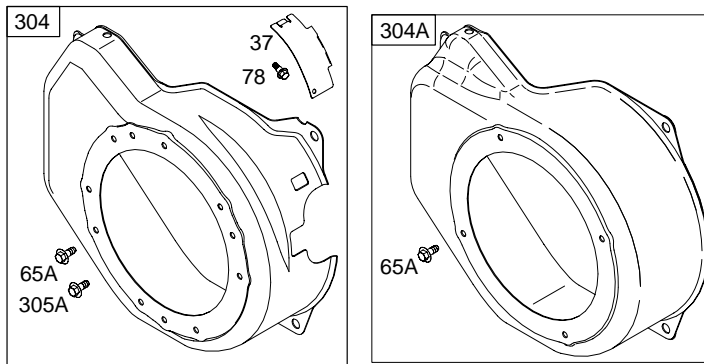
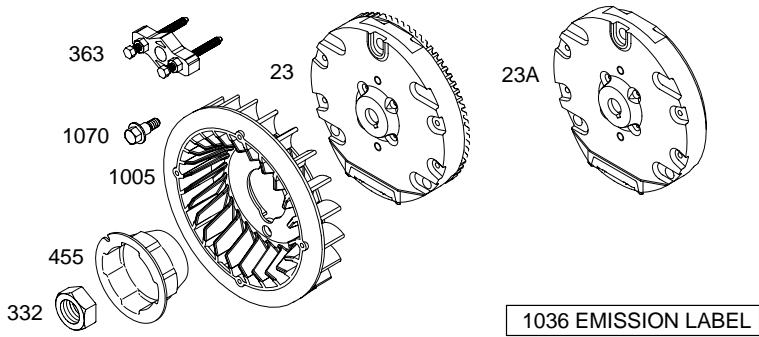


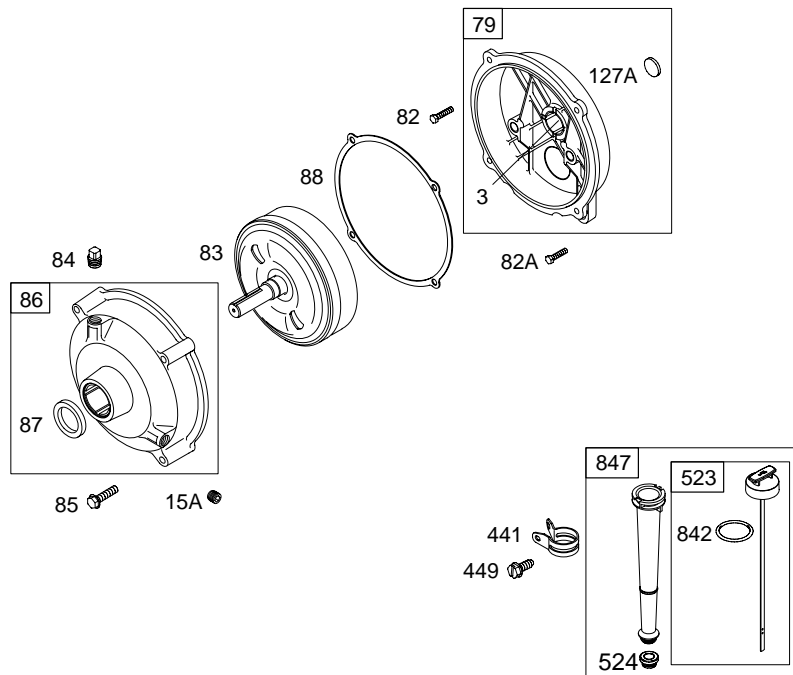
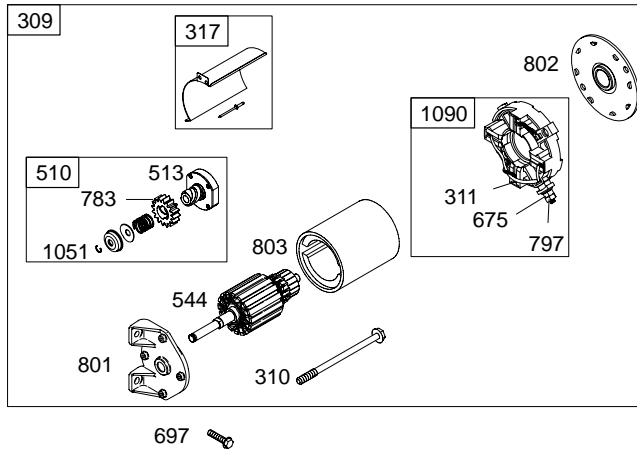


Illustrations cover a range of engines. Parts shown without corresponding text may not be used on your specific engine.
6818-6 Assemblies include all parts shown in frames. 09/25/2003



Illustrations cover a range of engines. Parts shown without corresponding text may not be used on your specific engine.
 6818-7 Assemblies include all parts shown in frames. 09/25/2003





Illustrations cover a range of engines. Parts shown without corresponding text may not be used on your specific engine.
 6818-9 Assemblies include all parts shown in frames. 09/25/2003

127400

REF. NO.	PART NO.	DESCRIPTION	REF. NO.	PART NO.	DESCRIPTION	REF. NO.	PART NO.	DESCRIPTION
1	698483	Cylinder Assembly (Used After Code Date 02101600). Note — 698225 Cylinder Assembly (Used Before Code Date 02101700). 698483 Cylinder Assembly (Used After Code Date 02031000). Used on Type No(s). 0136. 696253 Cylinder Assembly (Used Before Code Date 02031100). Used on Type No(s). 0136.		693594	Crankshaft (Used Before Code Date 03060900). Used on Type No(s). 0035, 0141, 0151, 0161, 0167. 699444 Crankshaft (Used After Code Date 03060800). Used on Type No(s). 0049, 0134, 0150, 0152, 0163. 694439 Crankshaft (Used Before Code Date 03060900). Used on Type No(s). 0049, 0134, 0150, 0152, 0163. 699442 Crankshaft (Used After Code Date 03060800). Used on Type No(s). 0138. 694450 Crankshaft (Used Before Code Date 03060900). Used on Type No(s). 0138. 699451 Crankshaft (Used After Code Date 03060800). Used on Type No(s). 0131, 0154. 695763 Crankshaft (Used Before Code Date 03060800). Used on Type No(s). 0131, 0154.		20	*692550 Seal—Oil (PTO Side)
2	399269	Kit—Bushing/Seal (Magneto Side)					21	281658 Cap—Oil Fill
3	*299819	Seal—Oil (Magneto Side)					22	692551 Screw (Crankcase Cover/Sump)
5	699486	Head—Cylinder					23	694902 Flywheel (Electric Start)
7	*Ø698210	Gasket—Cylinder Head					23A	692987 Flywheel (Rewind Start)
11	692600	Tube—Breather (Flat Panel)					24	222698 Key—Flywheel
11A	693647	Tube—Breather (High Mount)					25	499627 Piston Assembly (Standard) Note — 692788 Piston Assembly (.010" Oversize) 692789 Piston Assembly (.020" Oversize) 692790 Piston Assembly (.030" Oversize)
12	*692549	Gasket—Crankcase					26	499631 Ring Set (Standard) Note — 692785 Ring Set (.010" Oversize) 692786 Ring Set (.020" Oversize) 692787 Ring Set (.030" Oversize)
13	691137	Screw (Cylinder Head)					27	691866 Lock—Piston Pin
15	691686	Plug—Oil Drain (Square Head)					28	499423 Pin—Piston
15A	691682	Plug—Oil Drain (Flush)					29	690124 Rod—Connecting
16	699443	Crankshaft (Used After Code Date 03060800). Note — 693403 Crankshaft (Used Before Code Date 03060900). 699441 Crankshaft (Used After Code Date 03060800). Used on Type No(s). 0035, 0141, 0151, 0161, 0167.	17	692517	Bearing—Ball		30	692562 Dipper—Connecting Rod
			18	693204	Cover—Crankcase Used on Type No(s). 0049, 0134, 0144, 0147, 0163.		32	691664 Screw (Connecting Rod)
			18A	690047	Cover—Crankcase		32A	695759 Screw (Connecting Rod)
			18B	695290	Cover—Crankcase Used on Type No(s). 0150, 0152.		33	499642 Valve—Exhaust
							34	499641 Valve—Intake
							35	691304 Spring—Valve (Intake)
							36	691304 Spring—Valve (Exhaust)
							37	695725 Guard—Flywheel

* Included in Engine Gasket Set—Ref. No.358.

• Included in Carburetor Overhaul Kit—Ref. No. 121.

◆ Included in Carburetor Gasket Set—Ref. No. 977.

Ø Included in Valve Gasket Set—Ref. No 1095.

Illustrations cover a range of engines. Parts shown without corresponding text may not be used on your specific engine.

REF. NO.	PART NO.	DESCRIPTION	REF. NO.	PART NO.	DESCRIPTION	REF. NO.	PART NO.	DESCRIPTION
40	692194	Retainer-Valve	117	697355	Jet-Main (Standard)	130	691181	Valve-Throttle
45	690977	Tappet-Valve			———— Note ————			———— Note ————
46	693404	Camshaft						691203 Valve-Throttle
51	◆◆692555	Gasket-Intake (2 Required)			498975 Jet-Main (Standard)			Used on Type No(s). 0138, 0144.
55	691422	Housing-Rewind Starter			Used on Type No(s). 0138, 0144.	133	398187	Float-Carburetor
58	693389	Rope-Starter (Cut to Required Length)			498978 Jet-Main Used on Type No(s). 0123, 0134, 0157.	134	◆398188	Kit-Needle/Seat
59	805957	Insert-Grip	118	694250	Jet-Main (High Altitude) (Used on Carburetors 697354 and 697028)	137	◆◆693981	Gasket-Float Bowl
60	715257	Grip-Starter Rope (2 Piece)			———— Note ————	146	690979	Key-Timing
65	690837	Screw (Rewind Starter)			694975 Jet-Main Used on Type No(s). 0138, 0144.	155	698214	Plate-Cylinder Head
65A	692608	Screw (Rewind Starter)				161	692579	Base-Air Cleaner (Flat Panel) (Low Vent)
78	695724	Screw (Flywheel Guard)						———— Note ————
79	694511	Case-Gear Reduction	121	695157	Kit-Carburetor Overhaul			696063 Base-Air Cleaner (Flat Panel) (High Vent)
82	690369	Screw (Gear Reduction Case)	121A	696998	Kit-Carburetor Overhaul (High Vent)	163	◆◆272948	Gasket-Air Cleaner (Flat Panel) (Low Vent)
82A	691122	Screw (Gear Reduction Case)				163A	696024	Gasket-Air Cleaner (Flat Panel) (High Vent)
83	690374	Shaft-Auxillary Drive	122	◆693749	Spacer-Carburetor	163B	696979	Gasket-Air Cleaner (High Mount) (High Vent)
84	691121	Plug-Breather (Gear Reduction)	125	697354	Carburetor			Used on Type No(s). 0123, 0134, 0157.
85	692551	Screw (Gear Cover to Gear Reduction Case)			———— Note ————			
86	690608	Cover-Gear			698859 Carburetor (Used After Code Date 03042700).	186	692317	Connector-Hose
87	691582	Seal-Gear Reduction			Used on Type No(s). 0138, 0144.	187	691050	Line-Fuel (Straight) (Cut to Required Length)
88	691600	Gasket-Gear ReductionCover			694508 Carburetor (Used Before Code Date 03042800).	187A	692601	Line-Fuel (Molded)
95	691636	Screw (Throttle Valve)			Used on Type No(s). 0138, 0144.	188	690877	Screw (Control Bracket)
97	690024	Shaft-Throttle			697028 Carburetor Used on Type No(s). 0123, 0134, 0157.	190	692127	Screw (Fuel Tank)
98	398185	Kit-Idle Speed (Carburetor)				192	694543	Adjustor-Rocker Arm
104	◆691242	Pin-Float Hinge	127	◆691739	Plug-Welch	209	692571	Spring-Governor (Silver)
108	692567	Valve-Choke			———— Note ————			———— Note ————
					699111 Valve-Choke Used on Type No(s). 0138, 0144.			693206 Spring- Governor (Yellow) Used on Type No(s). 0035, 0125, 0141, 0144, 0167.
109	690023	Shaft-Choke (Straight Handle)	127A	691585	Plug-Welch Used on Type No(s). 0049, 0134, 0150, 0152, 0163.	209A	691278	Spring-Governor
109A	693628	Shaft-Choke Used on Type No(s). 0123, 0134, 0157.						

★ Included in Engine Gasket Set-Ref. No.358.

● Included in Carburetor Overhaul Kit-Ref. No. 121.

◆ Included in Carburetor Gasket Set-Ref. No. 977.

⊘ Included in Valve Gasket Set-Ref. No 1095.

Illustrations cover a range of engines. Parts shown without corresponding text may not be used on your specific engine.

127400

REF. NO.	PART NO.	DESCRIPTION	REF. NO.	PART NO.	DESCRIPTION	REF. NO.	PART NO.	DESCRIPTION
219	693578	Gear—Governor	300B	697813	Muffler (Used After Code Date 02031700).	317	695494	Cover—Starter
220	691724	Washer (Governor Gear)			Used on Type No(s). 0138, 0141, 0149, 0162, 0164, 0167.	318	693609	Screw (Mounting Bracket) (Used Before Code Date 01073000).
222	694253	Bracket—Control	304	697910	Housing—Blower (Used After Code Date 03030200).	332	699359	Nut (Flywheel) (Used After Code Date 03060800).
227	692573	Lever—Governor Control			Used on Type No(s). 0136.			Note
238	691300	Cap—Valve			694378 Housing— Blower (Used Before Code Date 02021500).	333	695711	Armature—Magneto
265	691024	Clamp—Casing			(Electric Start) (Black) Used on Type No(s). 0136.	334	691061	Screw (Magneto Armature)
267	692577	Screw (Casing Clamp)			699070 Housing—Blower (Rewind Start) (Used After Code Date 03030200).	337	491055	Plug—Spark Note
268	691025	Casing—Control Wire (72" Long) (Cut to Required Length)	304A	699070	Housing—Blower (Used Before Code Date 03030300).			691043 Plug—Spark Used on Type No(s). 0105, 0110, 0138, 0141, 0143, 0149, 0151, 0154, 0156, 0160, 0161, 0162, 0164, 0167.
269	691026	Wire—Control (78" Long) (Cut to Required Length)			Note	346	691627	Screw (Spark Arrestor)
270	691027	Nut (Control Wire Casing)			697909 Housing— Blower (Used Before Code Date 03030300).	347	697854	Switch—Rocker Note
271	691028	Lever—Control	305	690960	Screw (Blower Housing)			692599 Switch—Rocker Used on Type No(s). 0124, 0147, 0154, 0156, 0164.
271A	694256	Lever—Control (Control Bracket)	305A	691140	Screw (Blower Housing)	356	693650	Wire—Stop Used on Type No(s). 0110, 0135, 0138, 0141, 0143, 0144, 0149, 0151, 0160, 0161, 0162, 0167.
276	♦271716	Washer—Sealing						
281	694252	Panel—Control	306	693610	Shield—Cylinder			
286	698611	Module—Oil Sensor	307	690345	Screw (Cylinder Shield)			
300	694429	Muffler (Used Before Code Date 02031800). Used on Type No(s). 0138, 0141, 0149, 0162.	309	694504	Motor—Starter			
300A	693593	Muffler (Lo Tone)	310	690323	Bolt (Starter Motor)			
			311	497608	Brush Set			

★ Included in Engine Gasket Set—Ref. No.358.

● Included in Carburetor Overhaul Kit—Ref. No. 121.

◆ Included in Carburetor Gasket Set—Ref. No. 977.

⊘ Included in Valve Gasket Set—Ref. No 1095.

Illustrations cover a range of engines. Parts shown without corresponding text may not be used on your specific engine.

6818–12

Assemblies include all parts shown in frames.

09/25/2003

REF. NO.	PART NO.	DESCRIPTION	REF. NO.	PART NO.	DESCRIPTION	REF. NO.	PART NO.	DESCRIPTION
356A	692390	Stop Wire Used on Type No(s). 0035, 0036, 0049, 0105, 0123, 0125, 0131, 0134, 0136, 0150, 0152, 0157, 0163.	455	692591	Cup–Flywheel	619	691108	Screw (Cylinder Head Plate)
356B	692602	Stop Wire Used on Type No(s). 0124, 0135, 0138, 0141, 0143, 0144, 0147, 0151, 0156, 0160, 0161, 0167.	456	692299	Plate–Pawl Friction	621	692310	Switch–Stop
356C	695630	Stop Wire Used on Type No(s). 0110, 0124, 0135, 0138, 0141, 0143, 0149, 0151, 0154, 0156, 0160, 0161, 0162, 0164, 0167.	459	281505	Pawl–Ratchet	632	693408	Spring/Link– Mechanical Governor
356D	693651	Stop Wire Used on Type No(s). 0110, 0149, 0154, 0162, 0164.	467	691668	Knob–Air Cleaner	633	693867	Seal–Choke/Throttle Shaft
358	695155	Gasket Set–Engine	474	694457	Alternator	633A	691321	Seal–Choke/Throttle Shaft
358A	697000	Gasket Set–Engine (High Vent)	493	693599	Bracket–Mounting (Used Before Code Date 01073000).	635	692076	Boot–Spark Plug
363	19069	Flywheel Puller	504	694254	Washer Set–Friction	635A	692927	Boot–Spark Plug
364	695693	Terminal–Oil Plug	505	691251	Nut (Governor Control Lever)	652	691108	Screw (Support Bracket)
365	692568	Screw (Carburetor)	510	499308	Drive–Starter	652A	695629	Screw (Support Bracket)
383	19374	Wrench–Spark Plug	513	692024	Clutch–Drive	663	694593	Screw (Control Panel)
415	693463	Plug (Crankcase Cover/ Sump)	523	693618	Dipstick	668	693604	Spacer (Oil Sensor) (Used Before Code Date 01073000).
425	692583	Screw (Air Cleaner Cover)	524	281370	Seal–Dipstick Tube	668A	694257	Spacer (Control Bracket)
427	694255	Nut (Control Bracket)	544	692966	Armature–Starter	675	691261	Washer (Brush Retainer)
441	694262	Bracket–Oil Fill (Used Before Code Date 01042600).	552	692346	Bushing–Governor Crank	676	393757	Deflector–Muffler (Side Out)
445	491588	Filter–Air Cleaner Cartridge (Flat Panel)	562	691119	Bolt (Governor Control Lever)	676A	696029	Deflector–Muffler (Used Before Code Date 02031800). Used on Type No(s). 0138, 0162.
445A	697029	Filter–Air Cleaner Cartridge (High Mount)	592	690800	Nut (Rewind Starter)	676B	697816	Deflector–Muffler (Used After Code Date 02031700). Used on Type No(s). 0138, 0162.
449	691693	Screw (Oil Fill Bracket)	597	691696	Screw (Pawl Friction Plate)	677	690661	Screw (Muffler Deflector)
			598	220624	Shim–End Play	677A	691627	Screw (Muffler Deflector) Used on Type No(s). 0138, 0162.
			601	95162	Clamp–Hose	689	691855	Spring–Friction
			608	693394	Starter–Rewind	692	690572	Spring–Detent
			613	691665	Screw (Muffler)	697	690372	Screw (Drive Cap)
			613A	694460	Screw (Muffler) (Used Before Code Date 02031800). Used on Type No(s). 0138, 0141, 0149, 0162.	717	693462	Bracket–Air Cleaner
			613B	691108	Screw (Muffler)	718	690959	Pin–Locating
			613C	697812	Screw (Muffler) (Used After Code Date 02031700). Used on Type No(s). 0138, 0141, 0149, 0162, 0164, 0167.	727	694467	Cover–Starter Drive
			615	692576	Retainer–Governor Shaft			
			616	692547	Crank–Governor			

★ Included in Engine Gasket Set–Ref. No.358.

● Included in Carburetor Overhaul Kit–Ref. No. 121.

◆ Included in Carburetor Gasket Set–Ref. No. 977.

⊘ Included in Valve Gasket Set–Ref. No 1095.

Illustrations cover a range of engines. Parts shown without corresponding text may not be used on your specific engine.

127400

REF. NO.	PART NO.	DESCRIPTION	REF. NO.	PART NO.	DESCRIPTION	REF. NO.	PART NO.	DESCRIPTION
729	694371	Clip–Wire	836D	696519	Screw (Muffler Guard)	967	493537	Filter–Pre Cleaner (Flat Panel)
741	695087	Gear–Timing			Used on Type No(s). 0154, 0160, 0161.	967A	273356	Filter–Pre Cleaner (High Mount)
742	692564	Retainer–E Ring (Idler Gear)	842	691031	Seal–O Ring (Dipstick Tube)	968	692584	Cover–Air Cleaner (Flat Panel)
746	692566	Gear–Idler	847	693617	Dipstick/Tube Assembly	968A	693460	Cover–Air Cleaner (High Mount)
773	694258	Retainer (Control Bracket)	851	493880	Terminal–Spark Plug	971	690370	Screw (Air Cleaner Base)
783	692353	Gear–Pinion	863	692596	Bracket–Muffler	971A	690349	Screw (Air Cleaner Base)
797	691029	Nut (Brush Retainer)	864	694430	Adapter–Muffler (Used Before Code Date 02031800).	971B	691693	Screw (Air Cleaner Base)
799	693609	Screw (Oil Sensor)			Used on Type No(s). 0138, 0141, 0149, 0162.	972	694260	Tank–Fuel
801	694482	Cap–Drive	864A	697814	Adapter–Muffler (Used After Code Date 02031700).	975	493640	Bowl–Float
802	691286	Cap–End			Used on Type No(s). 0138, 0141, 0149, 0162, 0164, 0167.	977	695156	Gasket Set–Carburetor
803	693757	Housing–Starter			Used on Type No(s). 0123, 0134, 0157.	977A	697001	Gasket Set–Carburetor (High Vent)
819	691685	Screw (Muffler Bracket)	868	692044	Seal–Valve	993	694088	Gasket–Cylinder Head Plate
823	691665	Screw (Muffler Adapter)	875	697030	Base–Air Cleaner (High Mount) (High Vent)	994	399541	Arrester–Spark
824	696017	Gasket–Heat Shield			Used on Type No(s). 0123, 0134, 0157.	1005	692592	Fan–Flywheel
830	694544	Stud (Rocker Arm)	883	691893	Gasket–Exhaust (Adapter to Cylinder)	1019	694852	Kit–Label
832	693583	Guard–Muffler	883A	692237	Gasket–Exhaust (Used on Type No(s). 0138, 0141, 0149, 0162, 0164, 0167.	1022	691890	Gasket–Rocker Cover
832A	694459	Guard–Muffler (Used Before Code Date 02031800). Used on Type No(s). 0138, 0141, 0149, 0162.	890	694933	Bracket–Support	1023	499924	Cover–Rocker Arm
832B	696516	Guard–Muffler (Used on Type No(s). 0154, 0160, 0161.	914	697551	Screw (Rocker Cover) (Used After Code Date 02031700).	1026	693517	Rod–Push
832C	697818	Guard–Muffler (Used After Code Date 02031700). Used on Type No(s). 0138, 0141, 0149, 0162, 0164, 0167.			————— Note ————— 692198 Screw (Rocker Cover) (Used Before Code Date 02031800).	1029	691230	Arm–Rocker
836	690661	Screw (Muffler Guard)	914A	692557	Screw (Rocker Cover)	1034	691343	Guide–Push Rod
836A	693624	Screw (Muffler Guard)	957	694261	Cap–Fuel Tank	1036	697004	Label–Emission
836B	691003	Screw (Muffler Guard) Used on Type No(s). 0138, 0141, 0149, 0162, 0164, 0167.	958	698180	Valve–Fuel Shut Off	1051	691265	Ring–Retaining (Starter Drive)
836C	691665	Screw (Muffler Guard) Used on Type No(s). 0138, 0141, 0149, 0162, 0164, 0167.	961	693598	Screw (Air Cleaner Bracket)	1052	698674	Sensor–Oil
						1054	280275	Tie–Cable
						1058	275092	Owner’s Manual (Emission Engines)
						1070	692590	Screw (Flywheel Fan)
						1090	691293	Retainer–Brush
						1095	695289	Gasket Set–Valve
						1119	691183	Screw (Alternator)
						1210	498144	Pulley/Spring Assembly (Pulley)
						1211	498144	Pulley/Spring Assembly (Spring)
						1305	691140	Screw (Oil Sensor Module)
						1330	272147	Repair Manual

★ Included in Engine Gasket Set–Ref. No.358.

● Included in Carburetor Overhaul Kit–Ref. No. 121.

◆ Included in Carburetor Gasket Set–Ref. No. 977.

∅ Included in Valve Gasket Set–Ref. No 1095.

Illustrations cover a range of engines. Parts shown without corresponding text may not be used on your specific engine.